

Sand Classifier SA.



Sand Classifier SA separates, dewateres & conveys sand and heavy particles from water. Street sand, filter sand and similar materials can be handled.



WATER TREATMENT
PRODUCTS

A Hydria Water company

Sand Classifier SA.

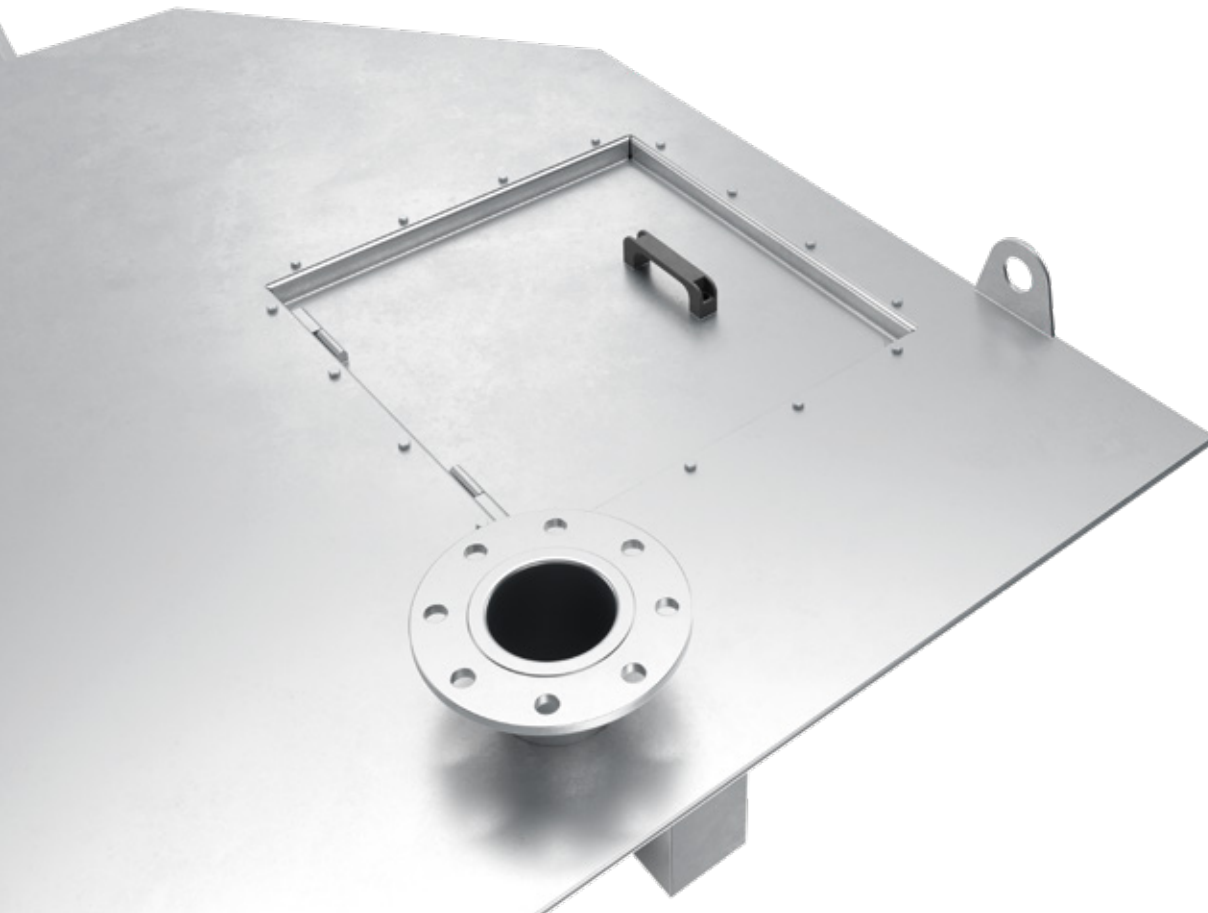
Sand Classifier SA separates, dewateres & conveys sand and heavy particles from water. Street sand, filter sand and similar materials can be handled.

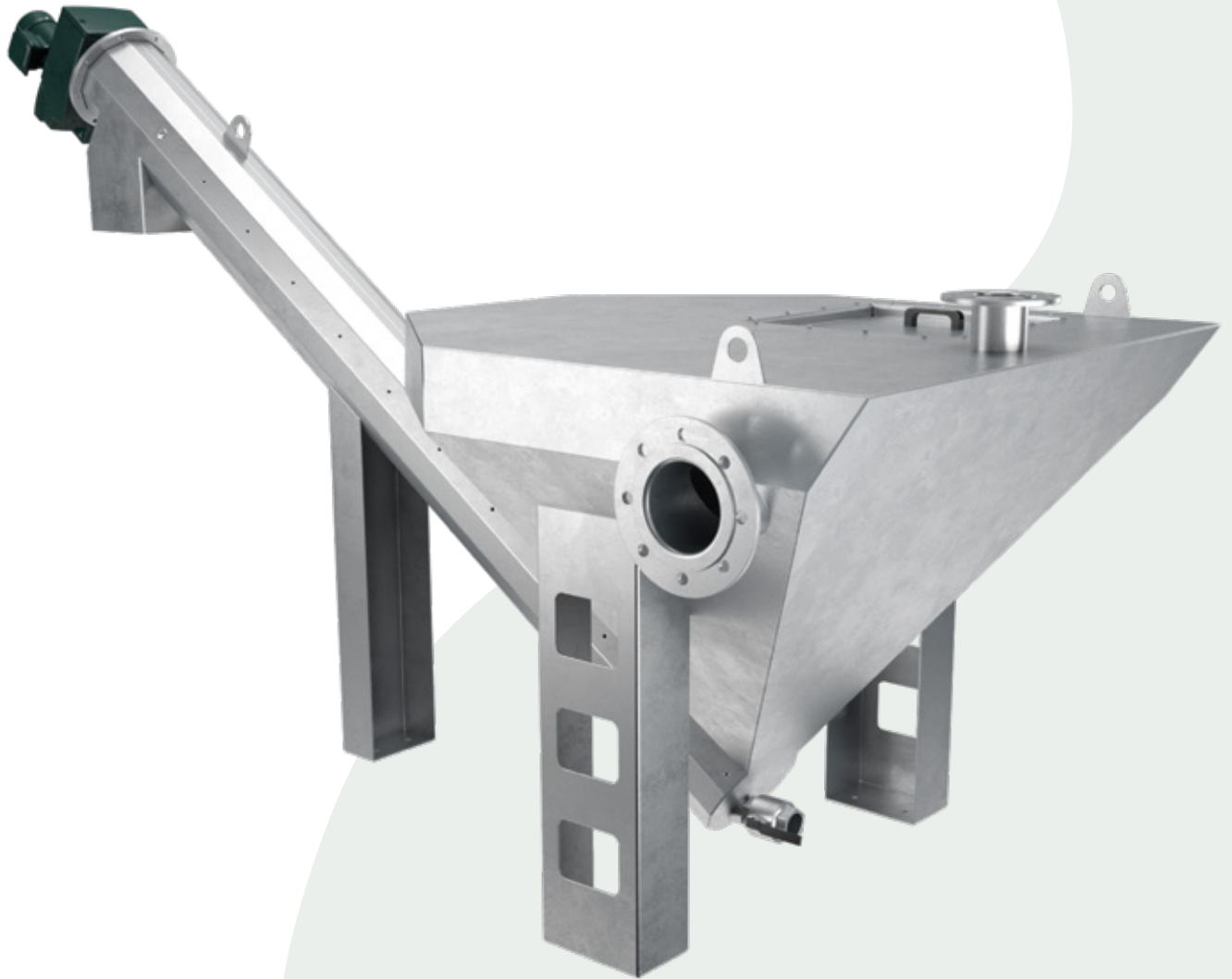
Advantages

- Modern innovative design on well proven concept.
- Maximum volume and surface enables use as "combi unit" grit trap.
- Simple sand washing function can be integrated.
- Easy adaptable screw length, screw type, in & outlet size and position.
- Made of robust thick high quality material.
- Enclosed, safe & hygienic with easy to open access doors.

Function

The sand/water mix is pumped or fed into the separation tank where sand settles. The screw conveyor dewateres & conveys the sand. Excess water during pumping flows out over a weir and is led out.





Specifications

Capacity	5-30 l/s
Motored gears	SEW and Nord
Material	EN1.4301, EN1.4404 or by client demand

MN has hundreds of international references. We are proud of our extensive knowledge and continuous development of the most innovative solutions available on the market of screens and screenings handling equipment within water and waste water treatment.

We have been on the market for more than 30 years and many of our well-engineered products has been benchmarks for the entire industry.

We design and manufacture all of our products in our own factories in Sweden.

We are certified with the latest ISO- and CE- standards.

Swedish steel working traditions and the highest quality.

Towards a cleaner world.



VA Teknik Sweden



WATER TREATMENT
PRODUCTS

A part of Hydria Water



HYDRIA™
WATER

www.hydrriawater.se