

# Shredder MT.

Shredder MT is an accessory for  
eg. Wash Press TP.



WATER TREATMENT  
PRODUCTS

A Hydria Water company

---

# Shredder MT.

Shredder MT is an accessory for eg. Wash Press TP.

## Advantages

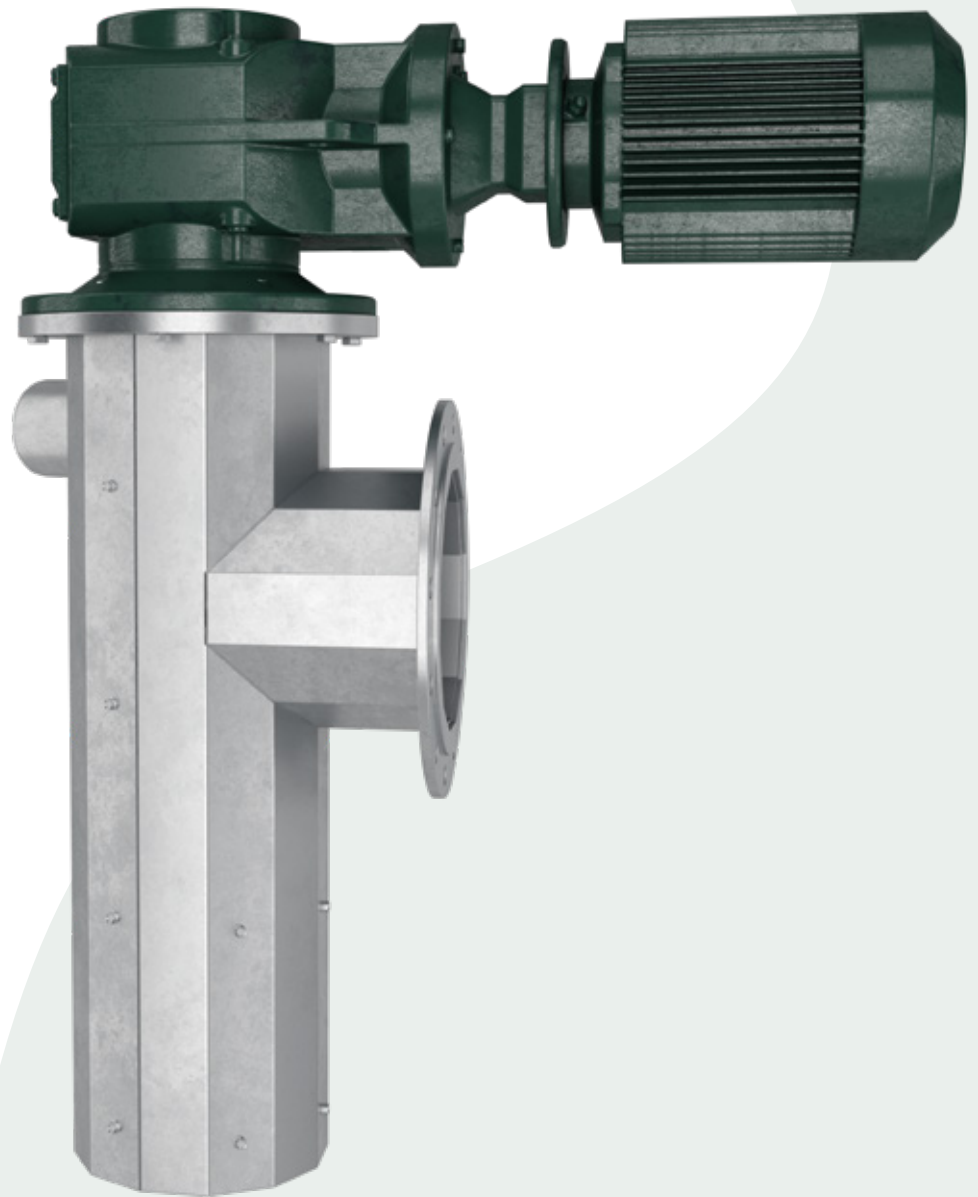
- Pushing drive gives high capacity and reliable clog free operation.
- Mounted at the end of the pipe system or at the beginning gives more flexibility.
- Shredding gives good self ventilation which improves working environment.
- Enclosed, safe & hygienic.
- Increased dryness.

## Function

Shredder MT adapts the operation conditions for the wash press continuously giving optimum controlled wash press retention time. This gives maximum washing and compaction due to heavy mechanical agitation. No need for impeller tank pre washing.

Shredder MT can be installed vertical, horizontal or angled. At the end or the beginning of a pipe system.





## Specifications

Diameter	150-500 mm
Length	0.5-10 m
Dryness	40-50%
Motored gears	SEW and Nord
Material	EN1.4301, EN1.4404 or by client demand

*MN has hundreds of international references. We are proud of our extensive knowledge and continuous development of the most innovative solutions available on the market of screens and screenings handling equipment within water and waste water treatment.*

*We have been on the market for more than 30 years and many of our well-engineered products has been benchmarks for the entire industry.*

*We design and manufacture all of our products in our own factories in Sweden.*

*We are certified with the latest ISO- and CE- standards.*

*Swedish steel working traditions and the highest quality.*

Towards a cleaner world.



VA Teknik Sweden



WATER TREATMENT  
PRODUCTS

A part of Hydria Water



HYDRIA™  
WATER

[www.hydrriawater.se](http://www.hydrriawater.se)