

Spiral Screen SS.



Spiral Screen SS separates, washes & dewateres solids (screenings, rubbish) from water.



WATER TREATMENT
PRODUCTS

A Hydria Water company

Spiral Screen SS.

Spiral Screen SS separates, washes & dewateres solids (screenings, rubbish) from water.

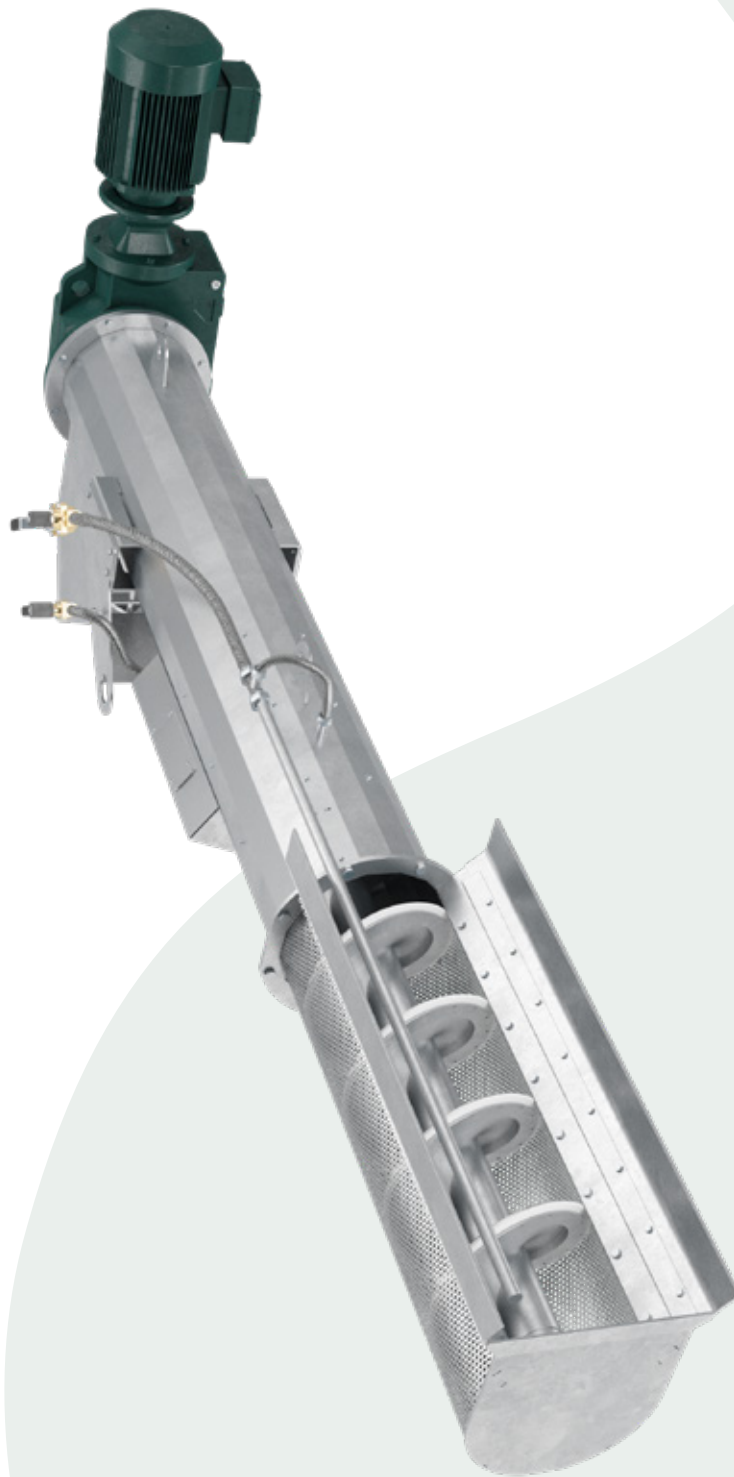
Advantages

- Simple machine for narrow channels.
- Robust quality construction and from certified stainless material.
- Good for stable low concentrated flows and easy screen applications.
- One drive unit for both screen and integrated wash press.
- Enclosed, safe & hygienic.

Function

A rotating spiral with a peripheral brush cleans a screen basket. Available with hole perforations or slots. Channel or tank mounted.





Specifications

Width	300-500 mm
Perforation	1-8 mm
Capacity	10-150 l/s
Motored gears	SEW and Nord
Material	EN1.4301, EN1.4404 or by client demand

MN has hundreds of international references. We are proud of our extensive knowledge and continuous development of the most innovative solutions available on the market of screens and screenings handling equipment within water and waste water treatment.

We have been on the market for more than 30 years and many of our well-engineered products has been benchmarks for the entire industry.

We design and manufacture all of our products in our own factories in Sweden.

We are certified with the latest ISO- and CE- standards.

Swedish steel working traditions and the highest quality.

Towards a cleaner world.



VA Teknik Sweden



WATER TREATMENT
PRODUCTS

A part of Hydria Water



HYDRIA™
WATER

www.hydrriawater.se